

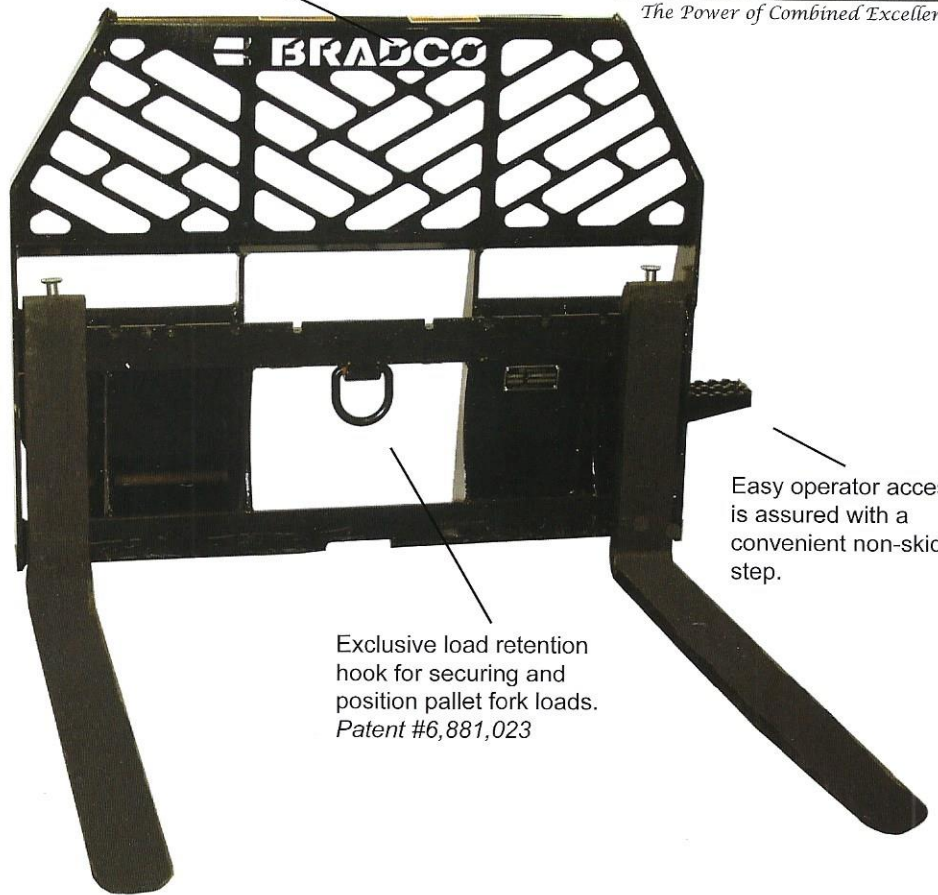
Pallet Forks

For Skid-Steer Loaders.

FEATURES:

- heavy duty frame designed to handle 4,000 - 6,000 lb capacities depending on tine option
- heavy gage brickguard offers outstanding strength and smooth surfaces for protection against load damage
- excellent see through visibility allows the operator to see tine ends
- 36", 42", & 48" tines available
- optional features include: Auger Mount, Bale Spear, & 2" Trailer Receiver Hitch
- 2 year limited warranty

Signature Series
custom models are available.



The Power of Combined Excellence



Auger Mount



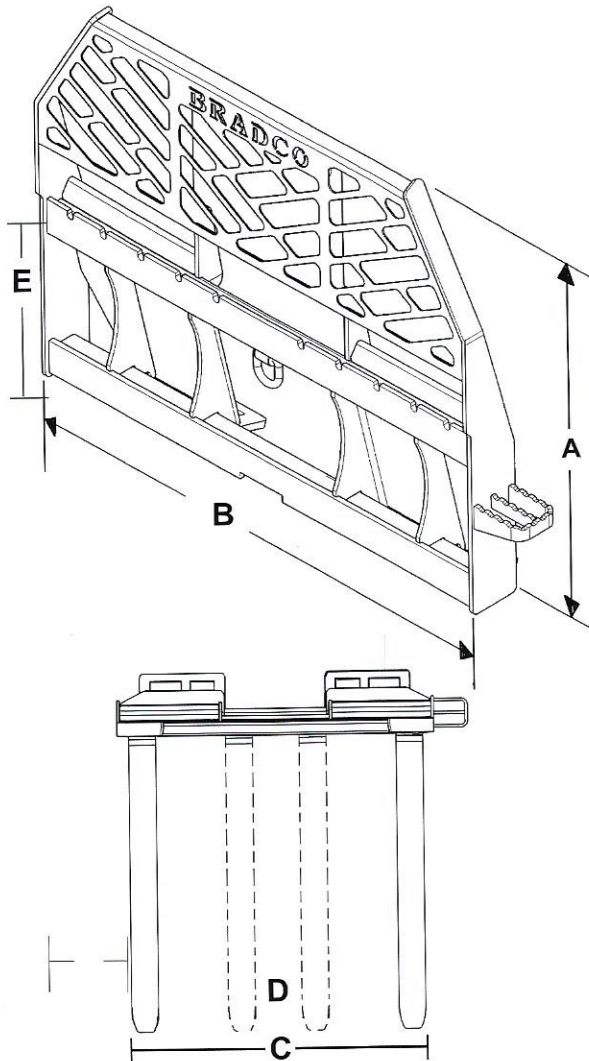
Bale Spear



Receiver Hitch

Pallet Fork

Specifications	Standard	Extended
A. overall height	38.75"	38.75"
B. overall width	45.88"	65.75"
C. adjustable tine spacing - maximum	45.00"	60.00"
D. adjustable tine spacing - minimum	9.00"	9.00"
E. ITA Category II fork mounting	16.00"	16.00"



Specifications and design are subject to change without notice and without liability, therefore, whenever applicable specifications are in accordance with SAE standards.

FEATURES:

- excellent visibility and see through brick guard
- optional personalized name or logo cut into frame
- angled side corners and side step for easy and safe entrance in and out of loader
- patented pull "D" ring or load retention tie down can be used to pull loads out of trucks, retain loads, and much more
- several pallet fork tine sizes available:
 - 3300# in 42" & 48"
 - 4000# in 36", 42" & 48"
 - 5500# in 42" & 48"
 - 6000# in 42" & 48"
- optional auger mount for the McMillen auger drives
- optional 2" trailer receiver hitch
- optional 2 or 3 spear bale carrier available:
 - 2 spear is 48" long x 1 $\frac{3}{4}$ " dia. & (1) 20" long x 1 $\frac{1}{4}$ " dia. stabilizer tine
 - 3 spear is 48" long x 1 $\frac{3}{4}$ " dia. & (2) 20" long x 1 $\frac{1}{4}$ " dia. stabilizer tines
- 2 year limited warranty

PH: 800-456-7100

www.paladinlcg.com

B-PALLET FORK 06010-3



The Power of Combined Excellence

Rock Bucket & Grapple

For skid-steer loaders and tractor loaders



The Power of Combined Excellence

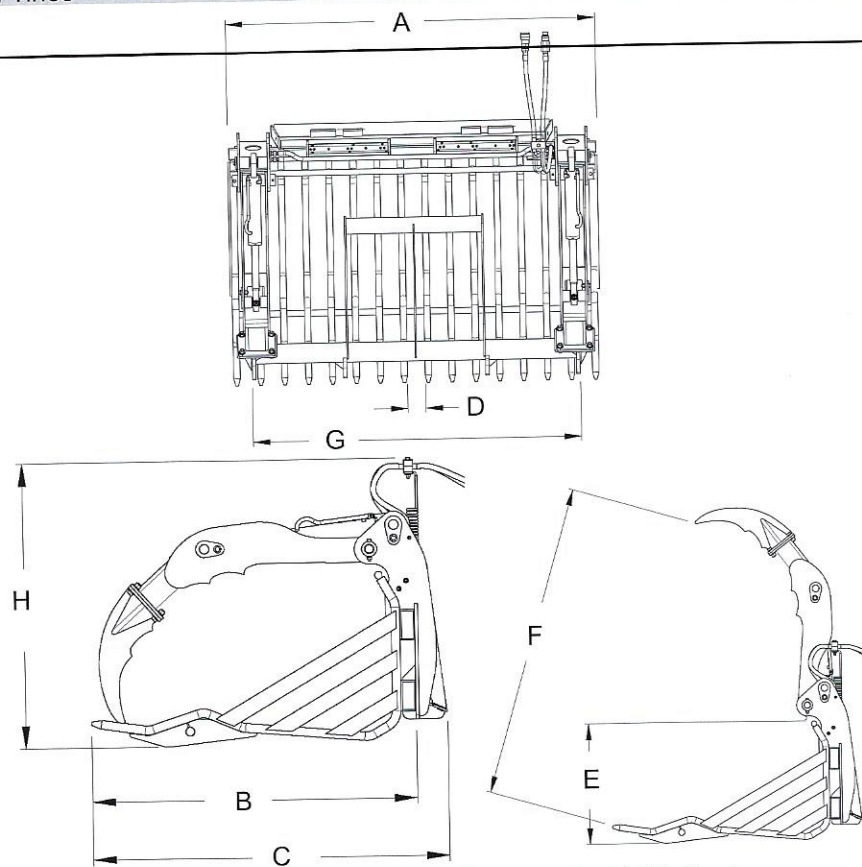


Rock Bucket with Optional Grapple

FEATURES:

- One grapple assembly fits 66", 75", and 84" rock buckets with 2" and 3" bucket tine spacing
- Hooks are welded to front tube rather than individual bolted for added strength and ease of assembly
- Replaceable front tine assembly
- Hooks do not extend beyond front plane of bucket tines
- Grapple hooks interlock with bucket tines
- Added structure between grapple arms to trap and contain debris
- Spherical bearings, threaded cylinder glands, and sealed grease zerks for added durability
- Easy to assemble grapple mounting
- Dual cylinders
- Wide opening grapple with aggressive rake-back tine design
- Designed for construction sites
- 2 year warranty

Specifications	2" tine spacing		3" tine spacing		
	66"	75"	66"	75"	84"
A. Width (overall)	68.4"	74.7"	65.9"	74.4"	82.6"
B. Depth No Mounting (overall)	42.4"	42.5"	42.5"	42.5"	42.5"
C. Depth with Skid-Steer Mounting	49.8"	49.8"	49.8"	49.8"	49.8"
D. Spacing Between Tines	2.0"	2.0"	3.1"	3.1"	3.1"
E. Bucket Height	21.8"	21.8"	21.8"	21.8"	21.8"
F. Grapple Opening	60.0"	60.0"	60.0"	60.0"	60.0"
G. Grapple Width	60.0"	60.0"	60.0"	60.0"	60.0"
H. Shipping Width Grapple (overall)	38.0"	38.0"	38.0"	38.0"	38.0"
Tine Rod Diameter	1.1"	1.1"	1.1"	1.1"	1.1"
Weight (lbs)	670	739	550	619	670
Number of Tines	22	24	16	18	20



Specifications and design are subject to change without notice and without liability, therefore, whenever applicable specifications are in accordance with SAE standards.

PH: 800-456-7100

www.paladinlcg.com

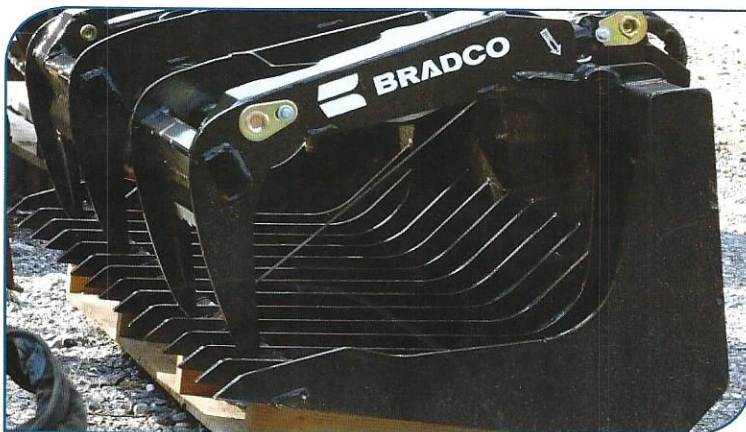


The Power of Combined Excellence



BRUSH GRAPPLE

Features	Advantages	Benefits
Fabricated with High Strength Steel	Higher Load Capacity	Increased Productivity; Increased ROI
Helix Tooth Design to Aid in Pulling Debris into the Bucket	Picks Up More Debris in Less Time	Increased Productivity; Increased ROI
Pilot Operated Check Valve	Positive Lock Down on Grapples, No Leak-off, Secures Load	Safer Operation; Increased ROI



BRUSH GRAPPLE

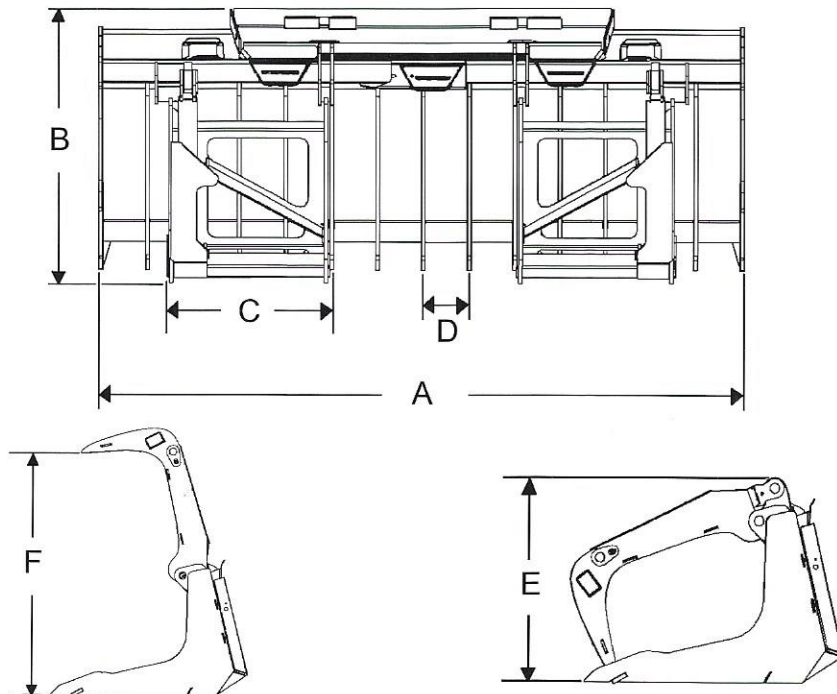
Ideal for clearing land of brush and roots with out stripping away the topsoil. A perfect companion to a skid steer loader for land clearing of smaller brush, scrap and debris from the jobsite.

- Available in 72" and 84"
- Dual independent high visibility see through grapples
- Complete protection for cylinders (top, bottom and outboard sides)
- Dual hydraulic lock system secures larger debris
- 2 year limited warranty

Specifications	72"	84"
Width (overall)	72"	84"
Depth (overall)	32"	32"
Grapple width	60"	63"
Tine spacing	5.5"	6.0"
Grapple height - closed	3/4"	3/4"
Grapple hook - open	37"	37"
Weight (overall) lbs	663	763
Clamping force lbs	1,250	1,250
Number of grapple teeth	4	4
Number of cylinders	2	2
Tine & End Plates	1/2"	1/2"
Cylinder Specifications		
Bore	2.00"	2.00"
Stroke	8.25"	8.25"
Rod diameter	1.25"	1.25"

BRUSH GRAPPLE

- Double pilot-operated check valve for locking grapple into work
- hydraulic hose and grease zerk protection
- hardened/replaceable bushings
- high grade steel construction



Subject to change without notice.

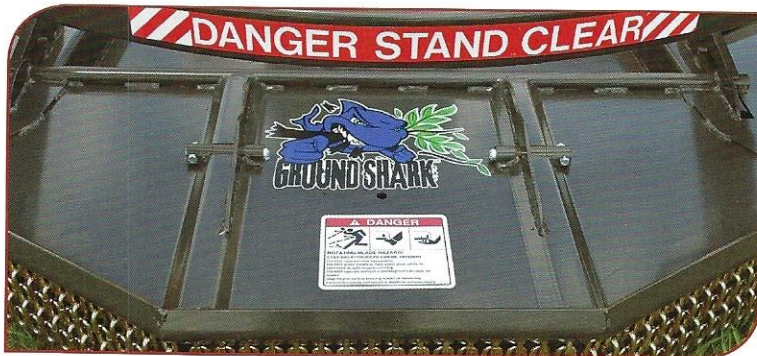


GROUND SHARK™ BRUSH CUTTERS

For Skid Steer Loaders



Our best selling Ground Shark™ Brush Cutter is now available in standard and extreme duty classes. Ground Shark™ is the first choice for vegetation management professionals.



The **Ground Shark™** family of brush cutters have been engineered to handle your toughest vegetation management jobs. They are ideal for roadside maintenance, right of way clearing, site preparation, fire control, fence line maintenance, and trail maintenance.



- Ground Shark™ brush cutters are compatible with all major OEM branded Skid Steer Loaders
- They are available in standard and extreme duty classes, standard and high flow, and a variety of cutting widths from 60" to 78"
- Ground Shark™ is a proven best-seller for Paladin Attachments due to the innovative deck design, high performance, and aggressive machine profile

GROUND SHARK™ STANDARD DUTY BRUSH CUTTER

The new Ground Shark™ Standard Duty Brush Cutter is designed to clear light to medium density brush and hardwoods up to 4" in diameter. The entirely new drive train runs smooth and quiet while moving easily to clear the toughest material.

- Dual pressure reliefs on the hydraulic motor protect against pressure spikes that could damage the drive system
- If the situation requires, the cutting blades will stop rotating within seconds once the motor is disengaged minimizing the potential for damage to the machine and drive train



Available in 60" (standard flow), 72" (standard/high flow), and 78" (standard/high flow). Hydraulic couplers are included.



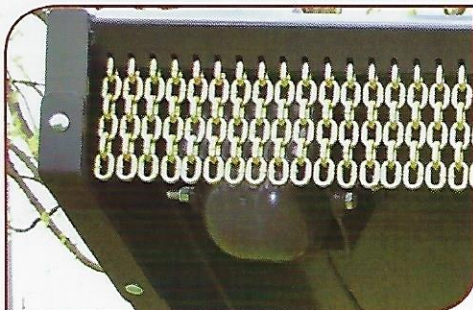
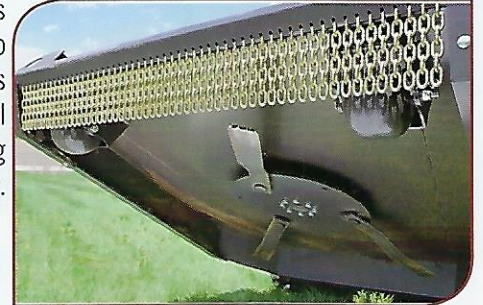
New motor and drive train.

An optional pressure gauge indicator easily visible to the operator helps prevent excessive stalling and overheating.



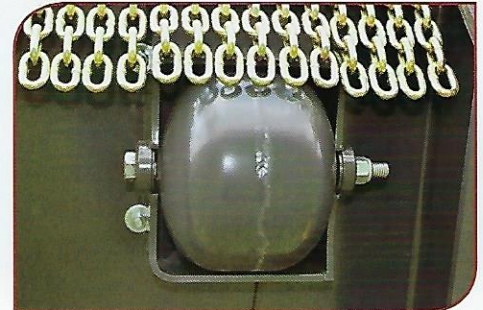
New .25" thick steel deck design.

Bi-directional blades allow the operator to cut in both directions extending operational life and reducing maintenance costs.



Replaceable skid shoes.

Optional dual wheel kits are available that mount to the underside of the front deck to keep the blades off the ground and prevent scalping.



GROUND SHARK™ EXTREME DUTY BRUSH CUTTER



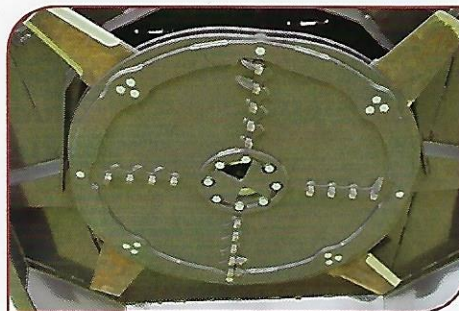
Available in 72" (high flow) only.

The Ground Shark™ Extreme Duty Brush Cutter is designed to clear medium to heavy density brush and hardwoods up to 7" in diameter. When the exclusive, patent pending retractable forward shield comes in contact with a tree, it moves up and back to expose the entire cutting edge of each blade while protecting the operator from flying debris.

- The motor and valve assembly are fully shielded preventing contact with debris
- The hydraulic hoses can be easily rerouted to allow hookup to multiple machine brands
- Dual steps improve cab egress safety and accommodate cab doors that open from either direction



Standard pressure gauge indicator, easily visible to the operator helps prevent excessive stalling and overheating.



Optional 18 tooth carbide stump grinding kit increases mulching performance and takes the stump down to ground level. This option is highly recommended.



Four double bevel edge blades.



Exclusive retractable forward shield (Patent Pending). When using the Ground Shark on brush/trees that are bigger than 4" in diameter, the shield will retract on its own to allow for maximum performance.



Heavy duty push bar pushes trees away from the operator while enhancing the cutting action by weakening the tree trunk as it bends.

When work needs to get done you need to be able to depend on your equipment. Our brush cutters are designed for maximum reliability, durability, and productivity.

Specifications	STANDARD DUTY						
Model	GSS60	GSS72	GSS78	GSS72	GSS78	GSS72	GSS78
Order Number	30360A	30372A	30378A	30372B	30378B	30372C	30378C
Recommended Hydraulic Flow (GPM)	15-25	15-25	15-25	26-32	26-32	32-40	32-40
Height	24"	24"	24"	24"	24"	27"	27"
Length	76"	88"	94"	88"	94"	88"	94"
Width	64"	76"	82"	76"	82"	76"	82"
Deck Height	9"	9"	9"	9"	9"	9"	9"
Cutting Width	60"	72"	78"	72"	78"	72"	78"
Cutting Capacity	4"	4"	4"	4"	4"	4"	4"
Deck Thickness (Steel)	0.25"	0.25"	0.25"	0.25"	0.25"	0.25"	0.25"
Required Skid-Steer Lift Capacity	1,200 lbs	1,400 lbs	1,500 lbs	1,400 lbs	1,500 lbs	1,500 lbs	1,600 lbs
Weight (Approximate)	1,120 lbs	1,280 lbs	1,365 lbs	1,280 lbs	1,365 lbs	1,320 lbs	1,405 lbs

Specifications	EXTREME DUTY
Model	BC72GS
Order Number	30272
Recommended Hydraulic Flow (GPM)	30-45
Height	28.13"
Length	85.59"
Width	77.38"
Deck Height	9"
Cutting Width	72"
Cutting Capacity	7"
Deck Thickness (Steel)	0.25"
Required Skid-Steer Lift Capacity	2,200 lbs
Weight (Approximate)	2,008 lbs



Trenchers

For Compact Skid-Steer loaders, Skid-Steer Loaders & 3-Point Tractors



The Power of Combined Excellence



FEATURES:

- Mount to skid-steer loaders, compact skid-steer loaders, & 3 point PTO HP hydrostatic tractors
- Heavy duty crumpler & safety bar
- Standard flow & high flow options available
- Several boom lengths available to match your job's specifications
- Choose from various chain & teeth assemblies
- 2 year limited warranty

640 Trencher - SSL
standard flow 14-24 GPM
high flow 25-44 GPM
planetary reduction

330 Trencher

FEATURES

- Category 1ASAE S217.12 standard, 3-point mount for 15-30 PTO HP hydrostatic tractors
- Maintenance free PTO shaft drive with automatic slip clutch for overload protection
- 14" discharge auger
- 30" & 36" digging depth available to fit most applications
- 38,000 lb 1.654" anti back flex chain for tooth pattern versatility to support many soil types and conditions
- Compatible with model 615 chains
- ASAE S278.6 standard quick attach compatible
- Support stand is a standard feature
- Rear hydraulics required
- Light/medium duty boom & crumber with replaceable wear strips
- Ease of installation and operation

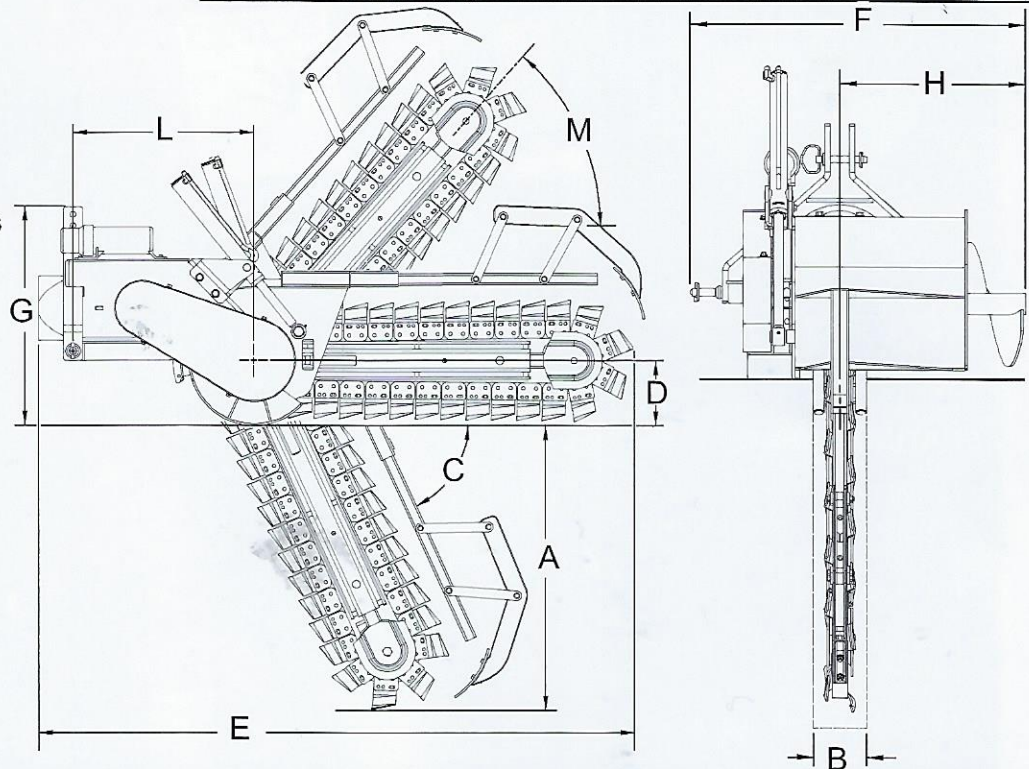
Specifications

Transport

A. Trench Depth with Auger at 65° Digging Angle	30"	36"
B. Chain Width	3.0"	3.0"
	4.5"	4.5"
	6.0"	6.0"
	8.0"	8.0"
C. Recommended Trenching Angle	65°	65°
D. Headshaft Height (Auger Touching Ground)	8.5"	8.5"
E. Overall Length	73"	79"
F. Overall Width	38"	38"
G. Overall Height	29"	29"
H. Spoil Discharge Reach	21"	21"
L. Length from 3-Point to Headshaft (center of gravity)	24"	24"
M. Transport Angle	48°	48°
Weight with 6" x 36" chain, boom & crumber	650 lbs	

Hydraulic System

Operating Hydraulic Pressure	2000 to 25000 PSI
Rear PTO RPM Rating	540 RPM
Rear PTO HP Rating	15 to 30 HP



Specifications and design are subject to change without notice and without liability, therefore, whenever applicable specifications are in accordance with SAE standards.

PH: (800) 456-7100

www.paladinlightconstructiongroup.com

B-TRENCHER 0611-3



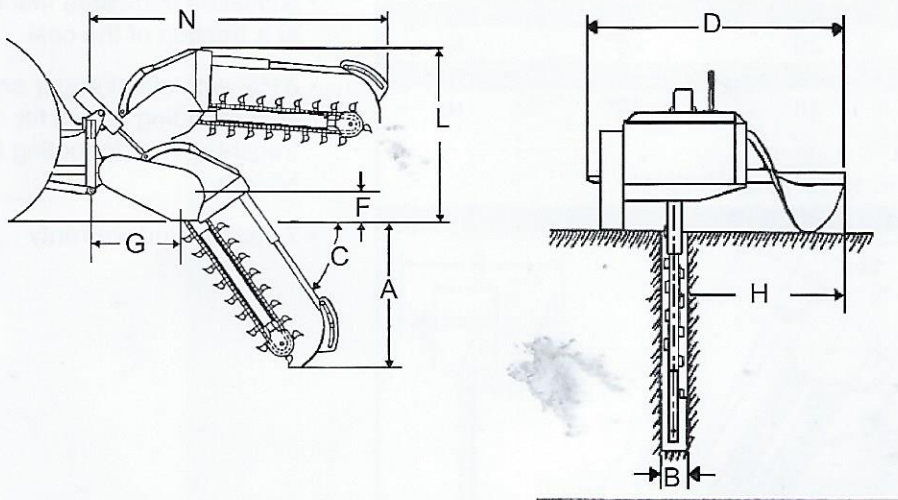
The Power of Combined Excellence

612 Trencher

Specifications

3-Point Mounting	Category I
A. Trench Depth	30", 36", 48", 60"
B. Trench Width	6", 8", 10", 12"
C. Trenching Angle	65°
D. Auger Diameter	24"
E. Width	43"
F. Headshaft Height (auger at grade)	12"
G. 3-point Length to Headshaft	24"
H. Spoil Discharge Reach	29"
L. Transport Height	varies
M. Center of Trencher to End of Auger	27"
N. Trencher Length with 4' boom	96"
Maximum Trenching Depths Based on Trench Width	
6" wide	60" deep
8" wide	48" deep
10" wide	36" deep
12" wide	30" deep
Digging Chain Specifications	
Double standard, anti-back flex	50,000 lbs.
Standard chain pitch	2"

*Requires hydraulic power outlets at rear of tractor or valve kit required



Specifications and design are subject to change without notice and without liability, therefore, whenever applicable specifications are in accordance with SAE standards.

FEATURES:

- Category I, 3-point mount for 20-45 PTO HP hydrostatic tractors
- PTO shaft-drive with heavy duty slip clutch for overload protection
- Gearbox drive with chain reduction to the headshaft giving productive digging chain speed
- 24" discharge auger, places dirt well away from the trench
- Several tooth options available
 - cup
 - shark
 - rock & frost
- 50,000 lb 2" anti back flex chain
- 2 year limited warranty

PH: (800) 456-7100

www.paladinlightconstructiongroup.com

PALADIN
LIGHT CONSTRUCTION GROUP

BRADCO

FFC

HARLEY

MAJOR

MCMILLEN

SWEEPSTER

The Power of Combined Excellence

615 & 615F Trenchers

Specifications	Boom Size		
	24"	30"	36"
615 Trencher			
A. Trench Depth, Model 615 with Auger at 65° Digging Angle	24"	30"	36"
B. Chain widths (615)	6"	6"	4.5"
	8"	8"	6"
	10"	10"	8"
	12"	NA	NA
C. Trenching angle	65°	65°	65°
D. Headshaft height (615)	10"	10"	10"
E. Length (overall) (615)	51"	58"	65"
F. Width (overall) (615)	42"	42"	42"
G. Height (overall) (615)	28"	28"	28"
H. Spoil Discharge Reach (615)	24"	24"	24"
615F Footing Trencher			
A. Trench Depth, Model 615F with Auger at 65° Digging Angle	24"	30"	NA
B. Chain Widths (615F)	6"	6"	NA
	8"	8"	NA
	10"	10"	NA
	12"	NA	NA
C. Trenching Angle	65°	65°	65°
D. Headshaft Height (615F)	17"	17"	NA
E. Length (overall) (615F)	65"	72"	NA
F. Width (overall) (615F)	26"	26"	NA
G. Height (overall) (615F)	29"	29"	NA
H. Spoil Discharge Reach (615F)	18"	18"	NA
Hydraulic System			
GPM Requirements	6 to 10 or 10 to 16 GPM		
Operating Pressure	2000 to 3000 PSI		

FEATURES:

- 24", 30", & 36" digging depth available to fit most applications
- 2 motor options to match the flow of many skid-steer loaders
- Fixed length booms available featuring spring-loaded, self adjusting idler with full rock guards
- Heavy-duty boom & crumber
- 50,000 lb 1.65" anti back flex chain for tooth pattern versatility to support many soil types and conditions
- 615F footing trencher offset allows cut outside skid-steer tread up to 72" width
- Allows tight fit with single side spoil augering
- Replaces dedicated machines at a fraction of the cost
- 615F with offset auger and side shielding allows for trenching next to footing form boards
- 2 year limited warranty

PH: (800) 456-7100

www.paladinlightconstructiongroup.com

B-TRENCHER 0611-3



The Power of Combined Excellence

625 Trencher

Specifications	Boom Size			
	30"	36"	42"	48"
A. Trench Depth				
With Auger at 65° Digging Angle	30"	36"	42"	48"
B. Chain Widths	6"	6"	6"	6"
	8"	8"	8"	8"
	10"	10"	10"	NA
	12"	NA	NA	NA
C. Recommended Trenching Angle	65°	65°	65°	65°
D. Headshaft Height	8"	8"	8"	8"
E. Length (overall)	66"	73"	79"	86"
F. Width (overall)	53"	53"	53"	53"
G. Height (overall)	32"	32"	32"	32"
H. Spoil Discharge Reach	18"	18"	18"	18"
S. Side Shift, Right of Center	17"	17"	17"	17"
Hydraulic System				
GPM Requirements	min 14 / max 22			
Operating Pressure	2000 - 3000 PSI			

Specifications and design are subject to change without notice and without liability, therefore, whenever applicable specifications are in accordance with SAE standards.

FEATURES:

- 30", 36, 42" & 48" digging depth available to fit most applications
- Fixed length booms available featuring spring-loaded, self adjusting idler with full rock guards
- Heavy-duty boom & crumber with replaceable wear strips
- Allows tight fit with single side spoil augering
- Replaces dedicated machines at a fraction of the cost
- Several tooth options available
 - cup
 - shark
 - rock & frost
- 50,000 lb 2" anti back flex chain for tooth pattern versatility to support many soil types and conditions
- Two position manual side shift mounting with optional infinite position using hydraulic side shift cylinder assembly
- 2 year limited warranty

PH: (800) 456-7100

www.paladinlightconstructiongroup.com

B-TRENCHER 0611-3



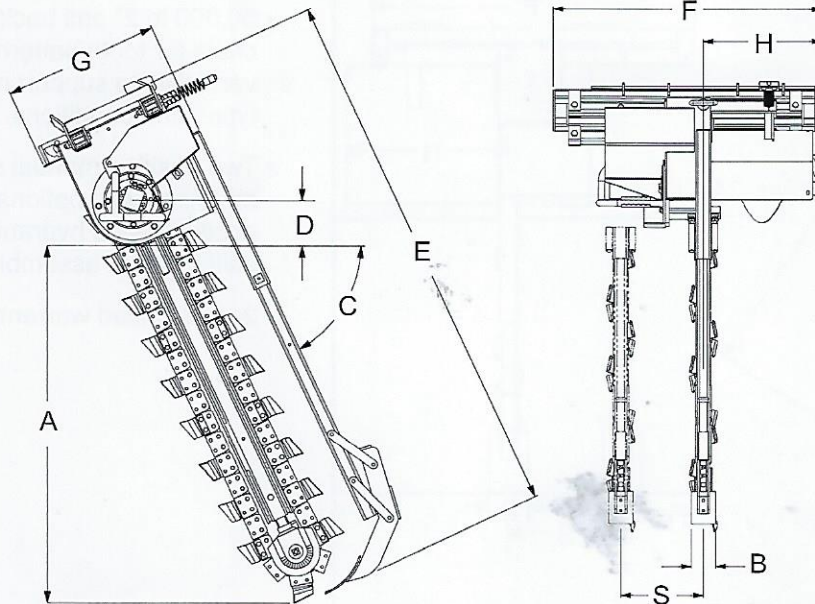
The Power of Combined Excellence

640 Trencher

Specifications	Boom Size				
	30"	36"	42"	48"	60"
A. Trench Depth					
With Auger at 65° Digging Angle	30"	36"	42"	48"	60"
B. Chain Widths	6"	6"	6"	6"	6"
	8"	8"	8"	8"	NA
	10"	10"	10"	NA	NA
	12"	12"	NA	NA	NA
C. Recommended Trenching Angle	65°	65°	65°	65°	65°
D. Headshaft Height	8"	8"	8"	8"	8"
E. Length (overall)	66"	73"	79"	86"	94"
F. Width (overall)	53"	53"	53"	53"	55"
G. Height (overall)	32"	32"	32"	32"	57"
H. Spoil Discharge Reach	18"	18"	18"	18"	24"
S. Side Shift, Right of Center	17"	17"	17"	17"	17"

Hydraulic System

GPM Requirements (standard flow)	14 to 24
GPM Requirements (high flow)	25 to 44
Operating Pressure	2000 to 3300 PSI



Specifications and design are subject to change without notice and without liability, therefore, whenever applicable specifications are in accordance with SAE standards.

FEATURES:

- 30", 36", 42", & 48" digging depth available to fit most applications
*60" high flow only
- 5 motor options to match the flow of many skid-steer loaders
- Mechanical side shift with hydraulic option
- Fixed length booms available featuring spring-loaded, self adjusting idler with full rock guards
- Heavy-duty boom & crumber
- Allows tight fit with single side spoil augering
- Replaces dedicated machines at a fraction of the cost
- Several tooth options available
 - cup
 - shark
 - rock & frost
- 50,000 lb 2" anti back flex chain for tooth pattern versatility to support many soil types and conditions
- Two position manual side shift mounting with optional infinite position using hydraulic side shift cylinder assembly
- 2 year limited warranty

PH: (800) 456-7100

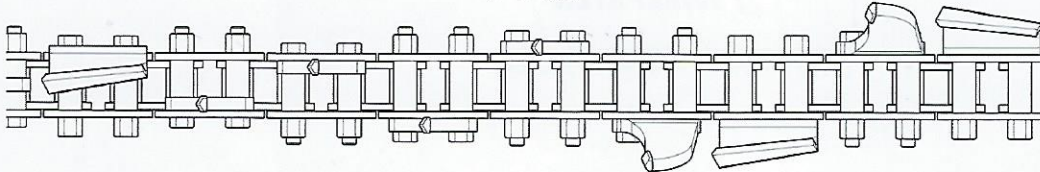
www.paladinlightconstructiongroup.com



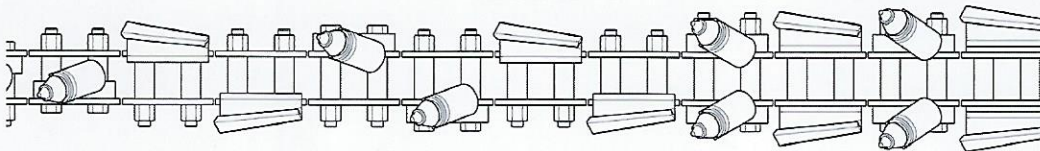
Chain Options

Trencher Chain & Teeth Assemblies

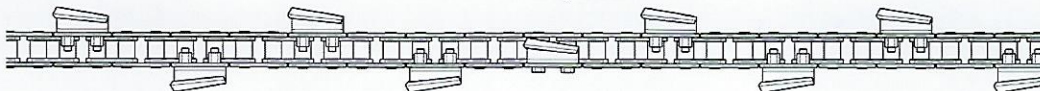
70/30 Combination Chain (aggressive shark style/cup teeth)
2" Pitch



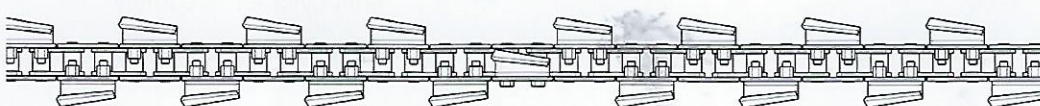
50/50 Rock & Frost Chain
2" Pitch



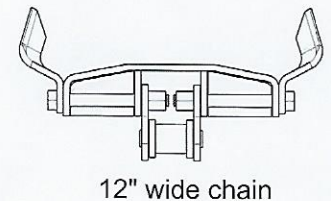
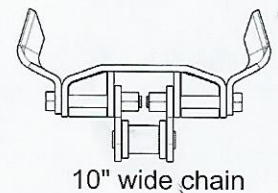
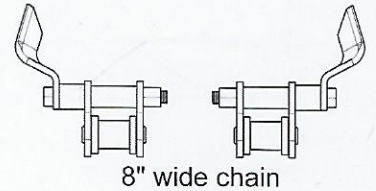
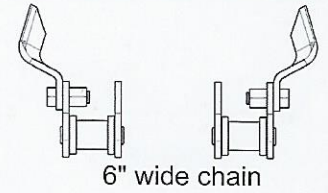
Tooth Every Other Station (TEOS)
2" Pitch 50,000#



Tooth Every Station (TES)
2" Pitch 50,000#



Chain Widths



Specifications and design are subject to change without notice and without liability, therefore, whenever applicable specifications are in accordance with SAE standards.

PH: (800) 456-7100

www.paladinlightconstructiongroup.com

B-TRENCHER 0611-3

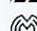
 **PALADIN**
LIGHT CONSTRUCTION GROUP


 **BRADCO**

 **FFC**

 **HARLEY**

 **MAJOR**

 **McMILLEN**

 **SWEEPSTER**

The Power of Combined Excellence